

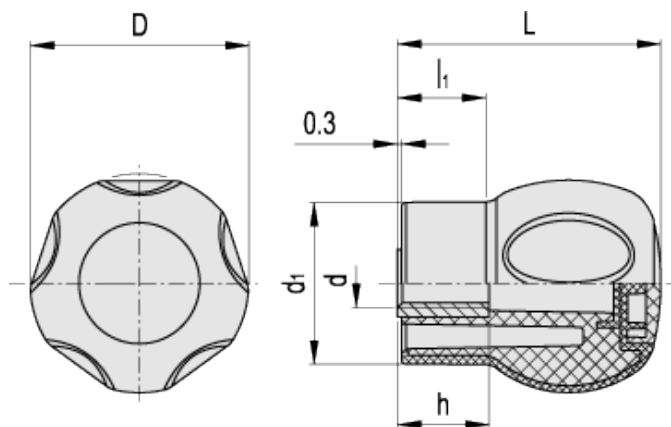
EBK-C SOFT



Handles



ELESA Original design



technical informations

Material

High-resilience polypropylene based (PP) technopolymer, coated with "soft-touch" thermoplastic elastomer (TPE) chemically bonded, hardness 70 Shore A.

The coating material is certified in compliance with FDA (U.S. Food and Drug Administration).
Resistant to solvents, oils, greases and other chemical agents.

Colour

Black, matte finish.

Centre cap

Polypropylene based (PP) technopolymer, in Ergostyle colours, matte finish, press-fit assembly.

Standard execution

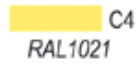
Brass boss, threaded hole.

Features and applications

The surface, coated with "soft-touch" elastomer, improves the grip even in the presence of oils, greases and sweat from the hand. For this reason it is suitable for fitness machines, tools and machines for gardening and goods transport, high-precision instruments and disability aids.



* Complete with colour index, example: 245203-C2 EBK.50 B-M8-C-SOFT-C2



Standard Elements		Main dimensions				Mounting hole		Weight
Code	Description	D	L	d ₁	l ₁	d _{6H}	h	g
245103-*	EBK.43 B-M8-C-SOFT-*	43	53.5	32.5	17.5	M8	10	72
245105-*	EBK.43 B-M10-C-SOFT-*	43	53.5	32.5	17.5	M10	10	71
245203-*	EBK.50 B-M8-C-SOFT-*	50	60	37	20	M8	20	85
245205-*	EBK.50 B-M10-C-SOFT-*	50	60	37	20	M10	20	82
245207-*	EBK.50 B-M12-C-SOFT-*	50	60	37	20	M12	20	80

This product had the following design awards:



ELESA-GANTER models all rights reserved in accordance with the law. Always mention the source when reproducing our drawings.

STANDARD MACHINE ELEMENTS WORLDWIDE